

**20 GN 2/1 ELECTRIC STEAM - CONVECTION OVEN**  
**FORNO CONVEZIONE- VAPORE ELETTRICO 20 GN 2/1**

PNC	Model	Ref.	Page	Notes
267 005	AOS202EAA1	a	2-3-4-5-6	Level/Livello A
268 005	AOS202EBA1	b	2-3-4-5-6	Level/Livello B
269 005	AOS202ECA1	c	2-3-4-5-6	Level/Livello C
267 105	AOS202EAK1	d	2-3-4-5-6	Level/Livello A
268 105	AOS202EBK1	e	2-3-4-5-6	Level/Livello B
267 085	AOS202EAM1	f	2-3-4-5-6	Level/Livello A
267 095	AOS202EAB1	g	2-3-4-5-6	Level/Livello A

**PLATON SERVICE**

8 (800) 500-34-41

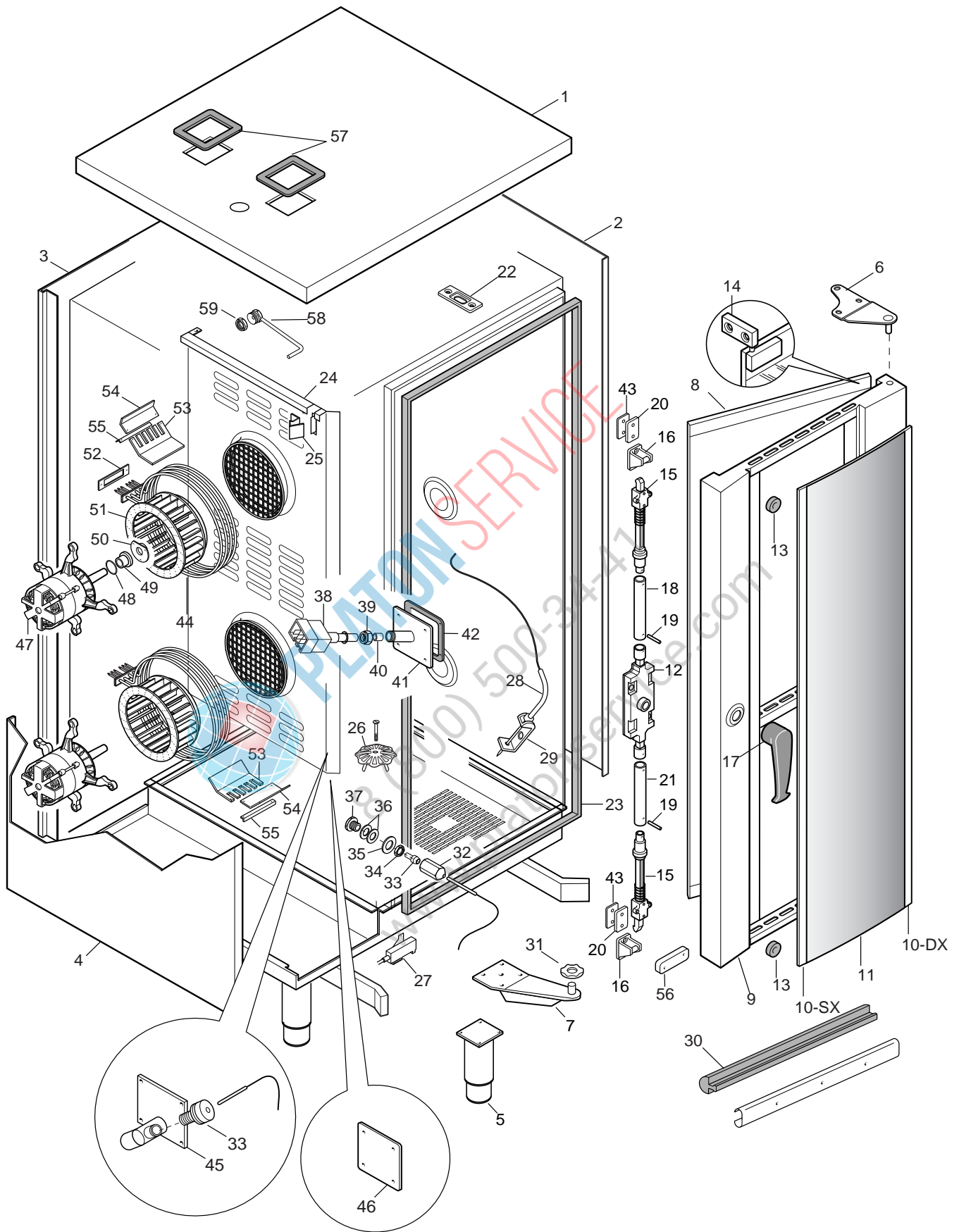
[www.platonservice.com](http://www.platonservice.com)**Index**

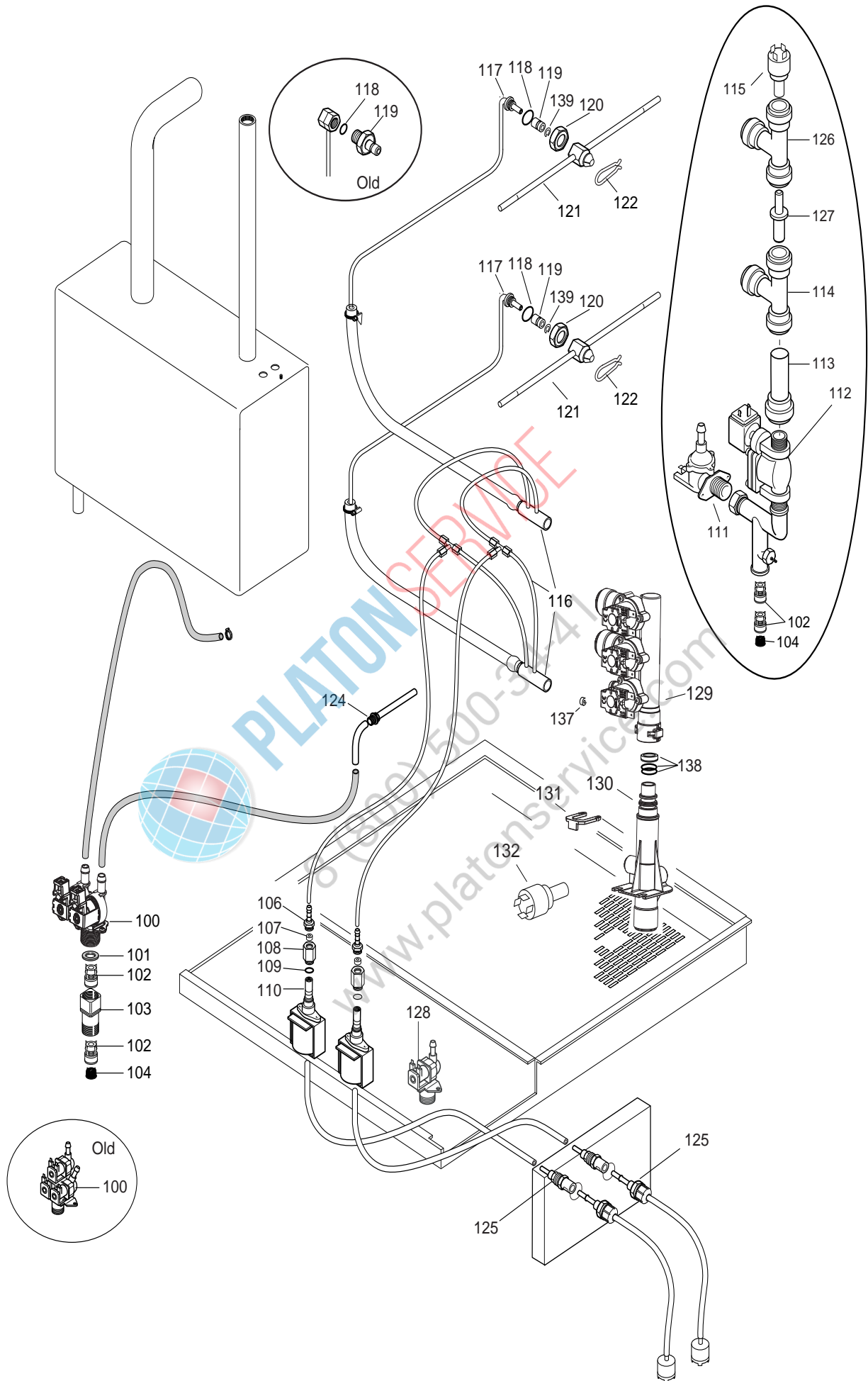
Pag. 2	Oven cabinet and door
3	Water system
4	Boiler
5	Electrical components
6	Tray support
7-10	Spare part list

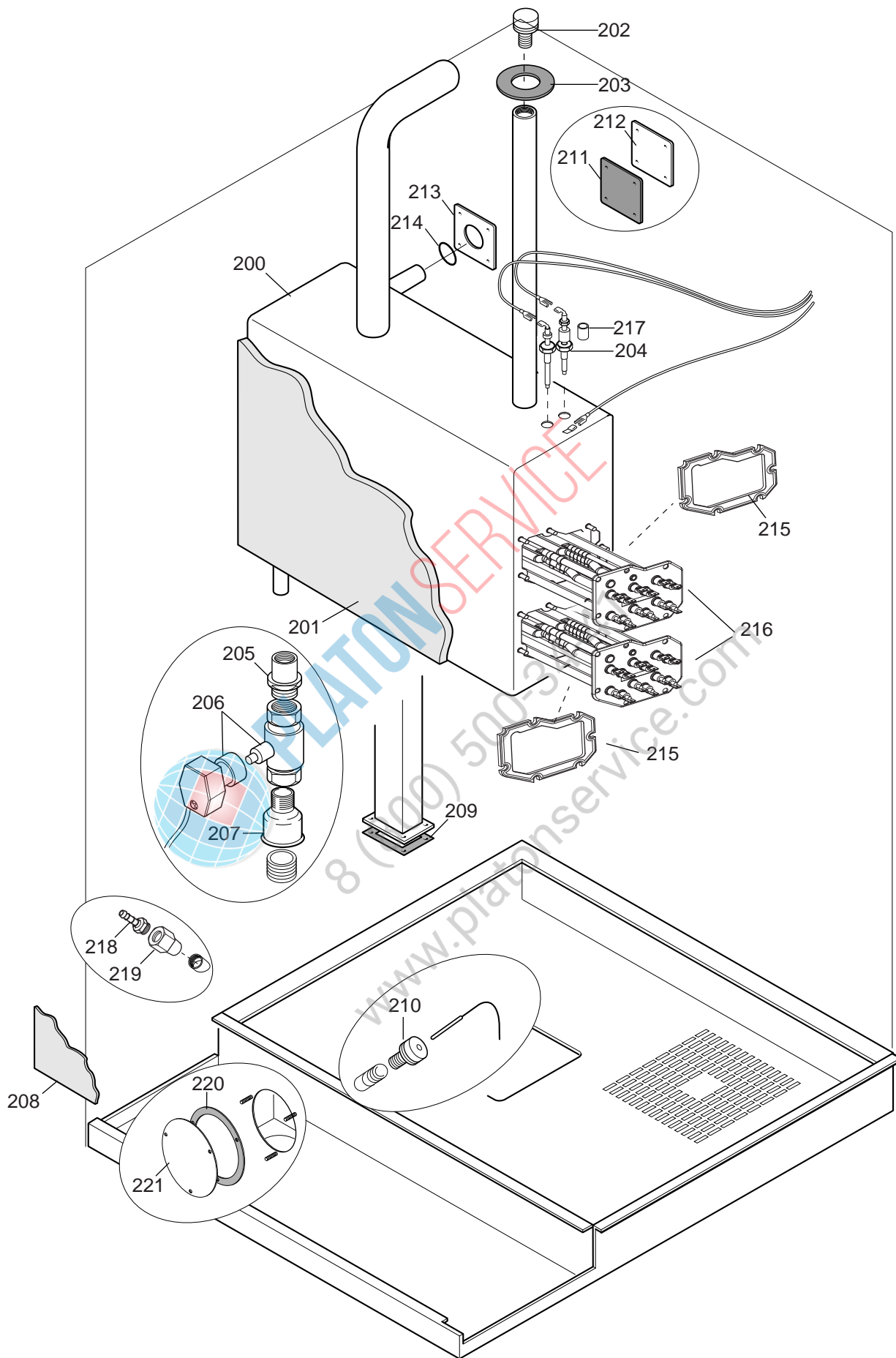
**Indice**

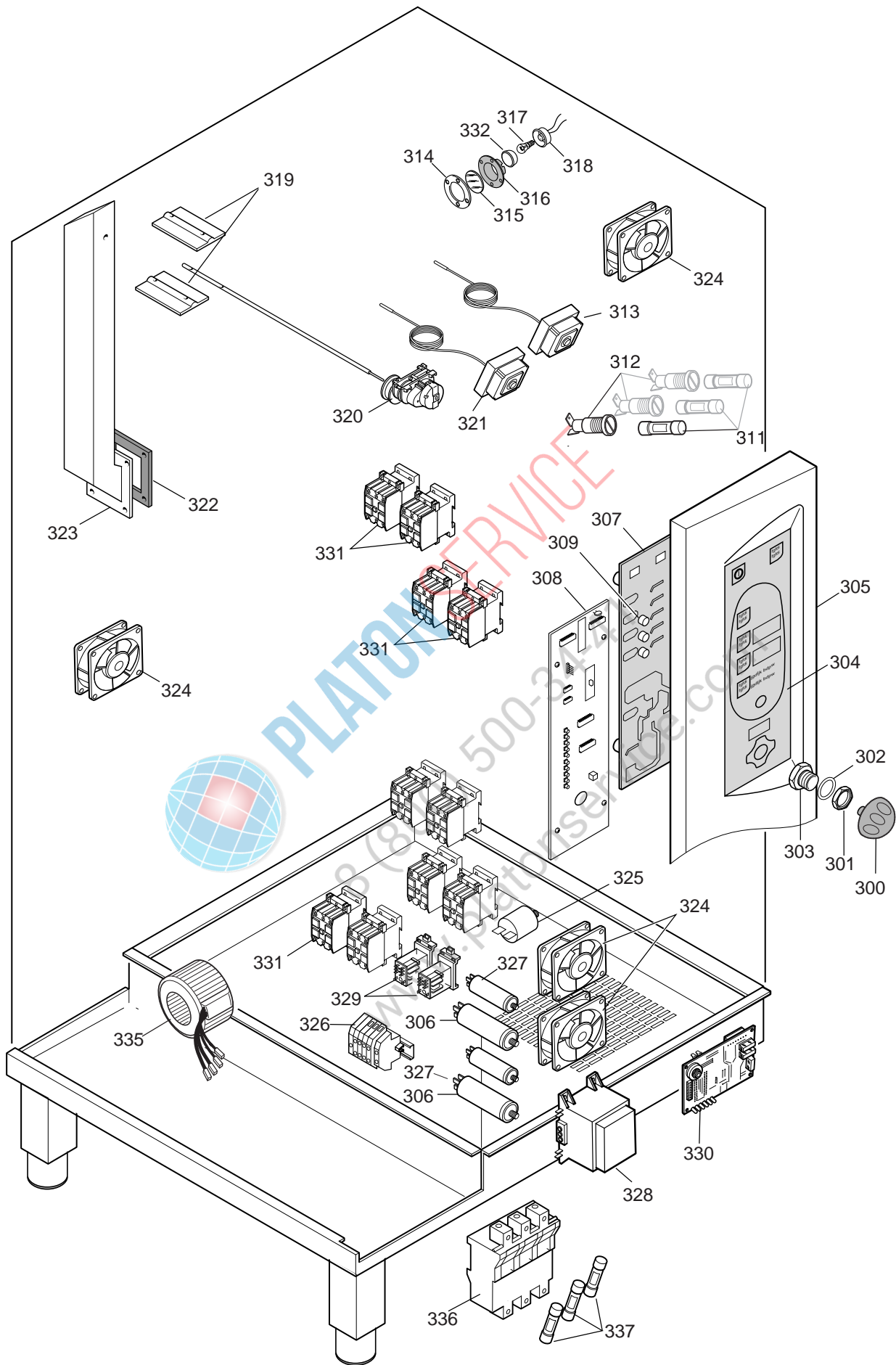
Cella forno e porta
Impianto idraulico
Boiler
Componenti elettrici
Struttura portateglie
Lista ricambi

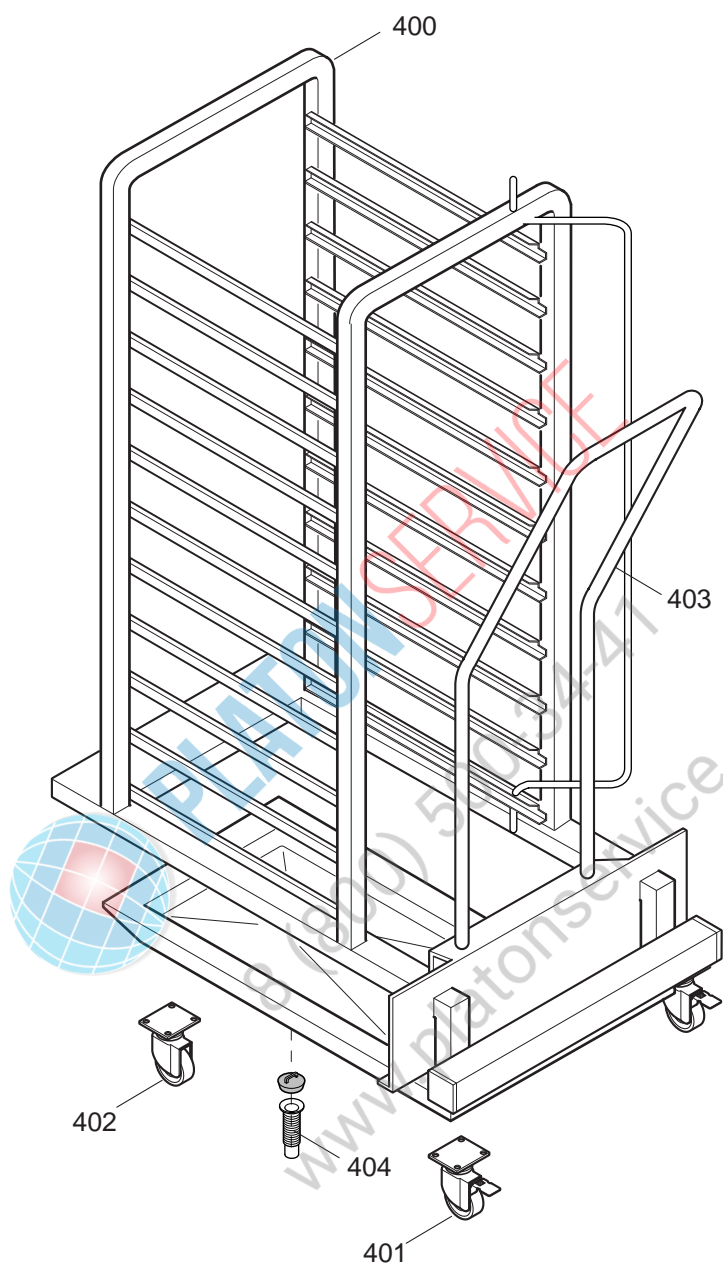
**Brand / Marchio: Electrolux**  
**Factory code: 9PDD**













**20 Gn 2/1 Electric steam - convection oven**  
**Forno convezione - vapore elettrico 20 Gn 2/1**

Attention: a,.....,d,e ⇒ a,b,c,d,e  
 UP. 05 ⇒ PNC XXXXXX 05

PNC	Model	Ref.	PNC	Model	Ref.
267 005	AOS202EAA1	a	267 105	AOS202EAK1	d
268 005	AOS202EBA1	b	268 105	AOS202EBK1	e
269 005	AOS202ECA1	c	267 085	AOS202EAM1	f
			267 095	AOS202EAB1	g

Pos	Factory Code	6DGT Code	Descrizione	Description	Ref./ Notes
			<b>Pagina 2</b>	<b>Page 2</b>	
1	0530892000	0C6184	COPERCHIO	COVER	start. 05
1	0873871402	0C4320	COPERCHIO	COVER	stop. 04
2	05388321000	0C6206	FIANCO DX	RIGHT SIDE PANEL	start. 05
2	0870862802	0C4321	FIANCO DX	RIGHT SIDE PANEL	stop. 04
3	0538834100	0C6208	SCHIENALE	BACK PANEL	start. 05
3	0530856900	0C4326	SCHIENALE	BACK PANEL	stop. 04
4	0538834600	0C6210	FIANCO SX	LEFT SIDE PANEL	start. 05
4	0522871302	0C1192	FIANCO SX	LEFT SIDE PANEL	stop. 04
5	0806871700	0C4824	PIEDE	FOOT	
6	0512816003	007086	CERNIERA SUPERIORE	UPPER HINGE	
7	0806843300	0C2483	CERNIERA INFERIORE	LOWER HIGE	
8	0873870201	0C4128	VETRO INTERNO	INNER GLASS	
9	0873860408	0C5068	PORTA COMPLETA	COMPLETE DOOR	
10	0530873400	0C4968	PROFILO FERMAVETRO DX	RIGHT TRIM	
10	0530873500	0C4969	PROFILO FERMAVETRO SX	LEFT TRIM	
11	0574815405	0C4488	VETRO ESTERNO	EXTERNAL GLASS	
12	0853821500	003824	CORPO CHIUSURA	CORE DOOR LOCK MECHANISM	
*	0856808701	0C4119	ASSIEME CHIUSURA	ASS LOCK MECHANISM	
13	0543828001	006976	AMMORTIZZA TORE	DAMPER	
14	0806822000	007007	CERNIERA VETRO INTERNO	HINGE, INNER GLASS	
15	0853821600	003822	MECCANISMO DI ESTREMITA'	HOOK	
16	*	0C3802	NA SELLO CHIUSURA PORTA	CATCH DOOR CLOSING	
17	0831838002	0C4308	MANIGLIA	DOOR HANDLE	
18	0513800501	0C4309	ASTA SUPERIORE	SUP. LEVER DOOR LOCK MEC.	
19	0214593100	060920	SPINA ELASTICA	SPRING COTTER	
20	0538807300	0C4120	DISTANZIALE 10/10	SPACER 10/10	
21	0513801100	0C4310	ASTA INFERIORE	INF. LEVER DOOR LOCK MEC.	
22	0543839700	0C4088	GUARNIZIONE FLANGIA SPILLONE	GASKET	
23	0543835100	0C1889	GUARNIZIONE CELLA	CAVITY GASKET	
24	0831847302	0C4622	PARETE DI ASPIRAZIONE	SUCTION WALL	
25	0518807301	0C3423	MOLLA AGGANCIO PARETE ASP	SPRING	
26	0518808700	0C2769	FILTRO FONDO	FILTER	
27	0654600000	049621	INTERRUTTORE MAGNETICO	MAGNETIC SWITCH	
28	0831816200	0C1404	SONDA SPILLONE (6 PUNTI)	MEAT PROBE (6 POINTS)	a,d,f,g
28	0831816100	0C1383	SONDA SPILLONE (SINGOLO PUNTO)	MEAT PROBE (SINGLE POINT)	b,c,e
29	0527865200	0C1505	SUPPORTO SPILLONE	MEAT PROBE SUPPORT	
30	0543838000	0C4131	GUARNIZIONE	GASKET	
31	0510815700	002653	POSIZIONATORE	POSITIONER	
32	0516855300	006991	DADO SONDA CELLA	NUT, CAVITY PROBE	
33	0543842600	0C4872	TAPPO PER SENSORE	STOPPER FOR SENSOR	
34	0214105101	020997	CONTRODADO	LOCK NUT	
35	0508838701	002700	RONDELLA	WASHER	
36	0543816300	002624	TENUTA	GASKET	
37	0516809400	002623	RACCORDO SONDA CELLA	CONNECTION, CAVITY PROBE	
38	0830891200	006995	SONDA LAMBDA	LAMBDA PROBE	a,d,f,g
39	0214111412	050670	DADO M 20 X1,5	NUT	a,d,f,g
40	0215170716	050682	OGIVA DA 12	OGIVA	a,d,f,g
41	0806857201	0C4244	CONDOTTO SONDA LAMBDA	DUCT, LAMBDA PROBE	
42	0543838300	0C4093	GUARNIZIONE	GASKET	
43	0538807400	0C4122	DISTANZIALE 20/10	SPACER 20/10	

**20 Gn 2/1 Electric steam - convection oven**  
**Forno convezione - vapore elettrico 20 Gn 2/1**

Attention: a,.....,d,e ⇒ a,b,c,d,e  
 UP. 05 ⇒ PNC XXXXXX 05

PNC	Model	Ref.	PNC	Model	Ref.
267 005	AOS202EAA1	a	267 105	AOS202EAK1	d
268 005	AOS202EBA1	b	268 105	AOS202EBK1	e
269 005	AOS202ECA1	c	267 085	AOS202EAM1	f
			267 095	AOS202EAB1	g

Pos	Factory Code	6DGT Code	Descrizione	Description	Ref./ Notes
44	0617828000	0C1173	RESISTENZA (8 kW/400V)	HEATING ELEMENT (8 kW/400V)	
44	0617829300	0C2241	RESISTENZA (8 kW/208V USA)	HEAT. ELEMENT (8 kW/208V USA)	f
44	0617829900	0C2242	RESISTENZA (8 kW/240 V USA)	HEAT. ELEMENT (8 kW/240V USA)	g
45	0806856300	0C4311	CONDOTTO BY-PASS	BY-PASS DUCT	b,e
46	0527898900	0C4857	PIASTRA CHIUSURA	FLANGE	c
47	0611806600	0C1171	MOTORE	MOTOR	a,b,d,e
<b>47</b>	<b>0611809100</b>	<b>0C6563</b>	<b>MOTORE</b>	<b>MOTOR</b>	<b>c</b>
47	0611807200	0C2674	MOTORE	MOTOR	f,g
48	0543816700	002873	O RING	O RING	
49	0516808902	002699	CUSCINETTO	BEARING	
50	0538815401	0C4138	FLANGIA	FLANGE	
51	0831804901	0C1172	VENTOLA	FAN	
52	0543816501	002689	GUARNIZIONE RESISTENZE CELLA	GASKET, CAVITY HEATING ELEMENT	
53	0527833700	0C3830	STAFFA	SUPPORT	
54	0503891801	006256	STAFFA	SUPPORT	
55	0503897402	006253	ANGOLARE	SUPPORT	
56	0699603700	049627	MAGNETE	MAGNET	
57	0543832100	0C1194	GUARNIZIONE CONDOTTO ARIA	GASKET	
<b>58</b>	<b>0856828500</b>	<b>0C4976</b>	<b>CONDOTTO UMIDIFICATORE</b>	<b>HUMIDIFIER PIPNG</b>	<b>c</b>
<b>59</b>	<b>0516887101</b>	<b>0C6228</b>	<b>DADO CONDOTTO</b>	<b>NUT HUMIDIFIER</b>	<b>c</b>
			Pagina 3	Page 3	
<b>100</b>	<b>0696805800</b>	<b>0C2314</b>	<b>ELETTROVALVOLA 3 VIE</b>	<b>WATER VALVE 3 WAYS</b>	<b>a,c,d,f,g</b>
<b>100</b>	<b>0696808400</b>	<b>0C5517</b>	<b>ELETTROVALVOLA 2 VIE</b>	<b>WATER VALVE 2 WAYS</b>	<b>a,c,d,f,g</b>
101	0543840600	0C4096	GUARNIZIONE FILTRO REFLEX 9052	GASKET	
102	0549801800	0C2312	VALVOLA NON RITORNO	NOT RE-FLOW VALVE	
103	0516879400	0C2313	RACCORDO ENTRATA ACQUA	PIPE FITTING	a,c,d,f,g
104	0831811400	0C1155	ASSIEVE FILTRO	FILTER	
106	0516896101	0C4198	PORTAGOMMA	CONNECTION	a,c,d,f,g
107	0544809000	0C1117	VALVOLA NON RITORNO OF10D	VALVE	a,c,d,f,g
108	0516871900	0C1116	RACCORDO PER POMPA	PUMP CONNECTION	a,c,d,f,g
109	0543832300	0C1935	O. RING	OR	a,c,d,f,g
110	0680801201	0C2341	POMPA DET. BRILL.	PUMP	a,c,d
110	0680801301	0C2342	POMPA	PUMP	f,g
<b>111</b>	<b>0696805500</b>	<b>0C1933</b>	<b>ELETTROVALVOLA</b>	<b>WATER VALVE</b>	<b>a,c,d,f,g (until UP. 04)</b>
<b>112</b>	<b>0696804900</b>	<b>0C1121</b>	<b>ELETTROVALVOLA</b>	<b>WATER VALVE</b>	<b>a,c,d,f,g (until UP. 04)</b>
<b>113</b>	<b>0544809300</b>	<b>0C1122</b>	<b>TERMINALE ACODOLO PM0522</b>	<b>CONNECTION</b>	<b>a,c,d,f,g (until UP. 04)</b>
<b>114</b>	<b>0544809200</b>	<b>0C1123</b>	<b>RIDUZIONE ATIPM3022AE D</b>	<b>CONNECTION</b>	<b>a,c,d,f,g (until UP. 04)</b>
<b>115</b>	<b>0646813000</b>	<b>0C1126</b>	<b>PRESSOSTATO ATTACCO RAPID</b>	<b>WATER PRESSURE SWITCH</b>	<b>a,c,d,f,g (until UP. 04)</b>
<b>116</b>	<b>0806864600</b>	<b>0C4322</b>	<b>ASS. COLLETORE + TUBI</b>	<b>COLLECTOR+PIPING</b>	<b>a,c,d,f,g</b>
<b>118</b>	<b>0543841400</b>	<b>0C4201</b>	<b>ANELLO DI TENUTA</b>	<b>OR</b>	<b>a,c,d,f,g</b>
<b>118</b>	<b>0543828300</b>	<b>007074</b>	<b>ANELLO DI TENUTA OR4118 V</b>	<b>OR</b>	<b>a,c,d,f,g</b>
<b>119</b>	<b>0516898301</b>	<b>0C4467</b>	<b>ATTACCO PER GETTO</b>	<b>CONNECTION FOR WASH ARM</b>	<b>a,c,d,f,g</b>
<b>119</b>	<b>0805400000</b>		<b>ATTACCO PER GETTO</b>	<b>CONNECTION FOR WASH ARM</b>	<b>a,c,d,f,g</b>
120	0516892301	0C4202	DADO	NUT	a,c,d,f,g
121	0806823100	007010	ASSIEVE GETTO ROTANTE	ROTATING WASHING JET	a,c,d,f,g
122	0518807100	007026	MOLLA AGGANCIO GETTO ROTA	SPRING	a,c,d,f,g
123	0806866000	0C4323	ASSIEVE CARICO BOILER	ASS. FILLING BOILER	a,c,d,f,g
124	0H22982800	007075	TUBO UMIDIFICATORE 57X2/5	PIPING	a,c,d,f,g
<b>124</b>	<b>0856828700</b>	<b>0C4978</b>	<b>TUBO UMIDIFICATORE</b>	<b>PIPING</b>	<b>c</b>
125	0831811700	0C1127	GRUPPO COLLEGAMENTO EXT.	EXTERNAL PIPING	a,c,d,f,g
<b>126</b>	<b>0544808500</b>	<b>0C1124</b>	<b>INTERMEDIOATPM0215E JG</b>	<b>CONNECTION</b>	<b>a,c,d,f,g (until UP. 04)</b>
<b>127</b>	<b>0517885800</b>	<b>0C2436</b>	<b>RIDUZIONE</b>	<b>CONNECTION</b>	<b>a,c,d,f,g (until UP. 04)</b>
128	0696805700	0C3254	ELETTROVALVOLA	WATER VALVE	b,e
128	0696808200	0C5515	ELETTROVALVOLA	WATER VALVE	c



20 Gn 2/1 Electric steam - convection oven  
Forno convezione - vapore elettrico 20 Gn 2/1

Attention: a,.....,d,e ⇒ a,b,c,d,e  
UP. 05 ⇒ PNC XXXXXX 05

PNC	Model	Ref.	PNC	Model	Ref.
267 005	AOS202EAA1	a	267 105	AOS202EAK1	d
268 005	AOS202EBA1	b	268 105	AOS202EBK1	e
269 005	AOS202ECA1	c	267 085	AOS202EAM1	f
			267 095	AOS202EAB1	g

Pos	Factory Code	6DGT Code	Descrizione	Description	Ref./ Notes
129	0831857200	0C6370	ASSIEME COLLETTORE LAVAGGIO	CONNECTION C.S.	a,c,d,f,g
130	0696808700	0C6372	GRUPPO VALVOLE CLEANING	VALVE GROUP C.S.	a,d
132	0696400200	0C6371	GRUPPO VALVOLE CLEANING	VALVE GROUP C.S.	f,g
132	0696400400	0C6407	GRUPPO VALVOLE CLEANING	VALVE GROUP C.S.	c
131	0546825100	0C6222	FORCELLA SICUREZZA	CLIP	a,c,d,f,g
132	0646817200	0C6217	PRESSOSTATO ATTACCO RAPID	CONNECTION FOR WASH ARM	a,c,d,f,g
137	-	0C6375	KIT RIDUTTORI	FLOW REDUCER KIT	a,c,e,f,g
138	-	061303	KIT O-RING +BUSSOLA	O-RING +BUSH KIT	a,c,e,f,g
139	0219035015	061303	ANELLO ELASTICO	ELASTIC RING	a,c,e,f,g
			Pagina 4	Page 4	
200	0831854900	0C5850	ASSIEME BOILER	BOILER ASS.Y	a,b,f,g (start sn 914)
200	0831842100	0C4349	ASSIEME BOILER	BOILER ASS.Y	a,b,f,g (stop sn 914)
200	0831855700	0C5853	ASSIEME BOILER	BOILER ASS.Y	d,e (start sn 832)
200	0831852000	0C5026	ASSIEME BOILER	BOILER ASS.Y	d,e (stop sn 832)
201	0569807100	0C5838	KIT ISOLAMENTO BOILER EL.	KIT ISOLATION	a,b,f,g (see code 200)
201	0560855701	0C4350	KIT ISOLAMENTO BOILER EL.	KIT ISOLATION	a,b,f,g (see code 200)
201	0560856400	0C5061	KIT ISOLAMENTO BOILER EL.	KIT ISOLATION	d,e (see code 200)
202	0543816601	002692	TAPPO	STOPPER	a,b,d,e,f,g
203	0543843201	0C4965	GOMMINO CHIUSURA	GASKET	a,b,d,e,f,g
203	0543817500	002634	GOMMINO INGRESSO DISINCR.	GASKET	a,b,d,e,f,g
204	0830886500	005879	SONDA DI LIVELLO	LEVEL PROBE	a,b,d,e,f,g
205	0516809501	007117	RACCORDO PER VALVOLA	CONNECTION	a,b,d,e,f,g
206	0696804201	0C0882	VALV. SFERA MOTORIZZATA	DRAIN VALVE	a,b,d,e,f,g
207	0511817600	007040	MANICOTTO RIDOTTO	CONNECTION	a,b,d,e,f,g
208	0560845602	0C4141	KIT ISOLAMENTO AIR BREAK	KIT ISOLATION	a,d,f,g
209	0543832400	0C4133	GUARNIZIONE AIR BREAK	AIR BREAK GASKET	
210	0543842600	0C4872	TAPPO PER SENSORE	STOPPER FOR SENSOR	a,d,f,g
211	0527899100	0C4858	FLANGIA CHIUSURA FORO BOILER	FLANGE	c
212	0543843100	0C4964	GUARN. CHIUSURA FORO BOILER	GASKET	c
213	0538806601	0C4142	FLANGIA TENUTA BOILER	FLANGE BOILER	a,b,d,e,f,g
214	0543832500	002874	ORTENUTA BOILER	OR BOILER	a,b,d,e,f,g
215	054384480	0C5834	GUARNIZIONE	GASKET	a,b,d,e,f,g (see code 216)
215	0543828800	007029	O RING	O RING	a,b,d,e,f,g (see code 216)
216	0617836500	0C5841	RESISTENZA BOILER (24 kW/400V)	HEAT. ELEMENT, BOILER (24 kW/400V)	a,b,d,e (from sn 914)
216	0617824800	007101	RESISTENZA BOILER (24 kW/400V)	HEAT. ELEMENT, BOILER (24 kW/400V)	a,b,d,e (until sn 914)
216	0617836500	0C5841	RESISTENZA BOILER (24 kW/400V)	HEAT. ELEMENT, BOILER (24 kW/400V)	d,e (from sn 832)
216	0617827500	0C1774	RESISTENZA BOILER (24 kW/440V)	HEAT. ELEMENT, BOILER (24 kW/440V)	d,e (until sn 832)
216	0617837200	0C5822	RESISTENZA BOILER (20 kW/208V USA)	HEATING ELEMENT, BOIL. 20 kW/208V USA	f (from sn 902)
216	0617829000	0C1485	RESISTENZA BOILER (20 kW/208V USA)	HEATING ELEMENT, BOIL. 20 kW/208V USA	f (until sn 902)
216	0617837800	0C5825	RESISTENZA BOILER (20 kW/240V USA)	HEATING ELEMENT, BOIL. 20 kW/240V USA	g (from sn 902)
216	0617829600	0C1501	RESISTENZA BOILER (20 kW/240V USA)	HEATING ELEMENT, BOIL. 20 kW/240V USA	g (until sn 902)
217	0515857001	055347	DISTANZIALE	SPACER	a,b,d,e,f,g
218	0516872000	0C1626	RESCA D12 FILETT 1/4" GAS	PIPE CONNECTION	a,b,d,e,f,g
219	0516889400	0C3797	UGELLO 'ELFIS' 1/4" FD3.5-3/8" M	NOZZLE	a,b,d,e,f,g
220	0543839600	0C3442	GUARNIZIONE FORTELLO	GASKET	a,d,f,g
221	089061403	0C3443	FORTELLO ISPEZIONE	INSPECTION COVER	a,d,f,g
			Pagina 5	Page 5	
300	0548872200	0C4875	MANOPOLA	HANDLE	
301	0214114900	051263	CONTRODADO	LOCK NUT	
302	0508836400	002727	RONDELLA	DISK	
303	0516807301	002662	BOCOOLA	BUSH	
304	0675838203	007057	MEMBRANA LIV.A	LAYER LEV. A	a,d,f,g
304	0675838902	007058	MEMBRANA LIV.B	LAYER LEV. B	b,e
304	0675854800	0C5067	MEMBRANA LIV.C	LAYER LEV. C	c

**20 Gn 2/1 Electric steam - convection oven**  
**Forno convezione - vapore elettrico 20 Gn 2/1**

Attention: a,.....,d,e ⇒ a,b,c,d,e  
 UP. 05 ⇒ PNC XXXXXX 05

PNC	Model	Ref.	PNC	Model	Ref.
267 005	AOS202EAA1	a	267 105	AOS202EAK1	d
268 005	AOS202EBA1	b	268 105	AOS202EBK1	e
269 005	AOS202ECA1	c	267 085	AOS202EAM1	f
			267 095	AOS202EAB1	g

Pos	Factory Code	6DGT Code	Descrizione	Description	Ref./ Notes
305	0873879701	0C4324	CRUSCOTTO LIV. A (NO MEMBRANA)	CONTROL PANEL LEV. A (NO LAYER)	a,d,f,g
305	0873880500	0C4720	CRUSCOTTO LIV. B (NO MEMBRANA)	CONTROL PANEL LEV. B (NO LAYER)	b,e
<b>305</b>	<b>0873894500</b>	<b>0C4897</b>	<b>CRUSCOTTO LIV. C (NO MEMBRANA)</b>	<b>CONTROL PANEL LEV. C (NO LAYER)</b>	<b>c</b>
306	0694800700	0C1186	CONDENSATORE 31,5 MF	CAPACITOR	a,b,c,d,e
307	0675837902	0C0043	SCHEDA USER INTERFACE LIV. A	USER INTERFACE BOARD, LEV. A	a,d,f,g
307	0675838802	0C0041	SCHEDA USER INTERFACE LIV. B	USER INTERFACE BOARD, LEV. B	b,e
<b>307</b>	<b>0675854600</b>	<b>0C4891</b>	<b>SCHEDA USER INTERFACE LIV. C</b>	<b>USER INTERFACE BOARD, LEV. C</b>	<b>c</b>
308	0675837808	0C0042	SCHEDA POWER COP20	MAIN POWER BOARD	a,d,f,g
309	0548836902	002670	PROLUNGA PULSANTE	EXTENSION, PUSH BUTTON	
311	0652802200	058871	FUSIBILE 16 A	FUSE 16 A	a,b,c,d,e
311	0652803900	0C2301	FUSIBILE 800 mA	FUSE T 630 mA	a,b,c,d,e
311	0652803300	0C1480	FUSIBILE 5X20 6,3A T	FUSE 5X20 6,3A T	f,g
312	0652802100	0F0031	PORTAFUSIBILE	FUSE HOLDER	
313	0646812200	007042	LIMITATORE, CELLA	LIMITER, CAVITY	a,b,c,d,e
313	0646810802	006314	LIMITATORE, CELLA	LIMITER, CAVITY	f,g
314	0508840801	002628	FLANGIA	FLANGE	
315	0574804900	002627	VETRO	GLASS	
316	0543817202	002626	GUARNIZIONE	GASKET	
317	0660808300	0C4396	LAMPADA A LOGENA	HALOGEN LAMP	
318	0660806800	007105	PORTALAMPADA	LAMP HOLDER	
319	0538804000	0C1169	FARFALLA CAMINO CELLA LW	CLOSER	
320	0646812801	0C0883	MOTORIDUTTORE FIBER	MOTOREDUCER	a,b,c,d,e
320	0646813500	0C1479	MOTORIDUTTORE	MOTOREDUCER	f,g
321	0646814900	0C2983	LIMITATORE, BOILER	LIMITER, BOILER	from UP. 05
322	0543832200	0C1168	GUARNIZIONE	GASKET	
323	0831806402	0C1219	CONDOTTO ARIA	DUCT, AIR	
324	0624811000	0C4106	VENTILATORE	FAN	
325	0694605400	049303	FILTRO	FILTER	a,b,c,d,e
326	0639805401	058707	MORSETTIERA	TERMINAL BOARD	a,b,c,d,e
326	0639811600	0C2673	MORSETTIERA	TERMINAL BOARD	f,g
327	0694604400	047541	CONDENSATORE 15 MF	CAPACITOR	a,b,d,e
328	0624806900	007045	TRASFORMATORE 230V-12/24V	TRANSFORMER 230V-12/24V	a,b,c,d,e
329	0648803001	058557	RELE	RELE	a,b,d,e
329	0648802601	056466	RELE	RELE	f,g
<b>329</b>	<b>0648722900</b>	<b>088267</b>	<b>RELE</b>	<b>RELE</b>	<b>f,g</b>
330	0624807002	007047	ALIMENTATORE SWITCHING	SWITCHING FEEDER	a,d,f,g
331	0648807300	088477	CONTATTORE B&J K3 10 A	CONTACTOR K3 10	a,b,d,e,f,g
331	0648807800	007104	CONTATTORE B&J K3 40A 230	CONTACTOR K3 40	a,b,d,e
<b>331</b>	<b>0648613200</b>	<b>0L0355</b>	<b>CONTATTORE B&amp;J K3 24A</b>	<b>CONTACTOR K3 24</b>	<b>c</b>
331	0648808400	0C2244	CONTATTORE K3-50A	CONTACTOR K3-50A	f,g
331	0648807400	006879	CONTATTORE K3-18A	CONTACTOR K3-18A	f,g
331	0648807700	007080	CONTATTORE K3-32A	CONTACTOR K3-32A	f,g
332	0509803900	0C4459	RIFLETTORE	REFLECTOR	
334	0648802601	056466	RELE	RELE	f,g
335	0624807901	0C0886	TRASFORMATORE	TRANSFORMER	f,g
336	0652803400	0C1487	PORTAFUSIBILE	FUSE HOLDER	f,g
337	0652803600	0C2245	FUSIB.OMEGA 22X58 80A	FUSEOMEGA 22X58 80A	f,g

**20 Gn 2/1 Electric steam - convection oven**  
**Forno convezione - vapore elettrico 20 Gn 2/1**

Attention: a,.....,d,e ⇒ a,b,c,d,e  
 UP. 05 ⇒ PNC XXXXXX 05

PNC	Model	Ref.	PNC	Model	Ref.
267 005	AOS202EAA1	a	267 105	AOS202EAK1	d
268 005	AOS202EBA1	b	268 105	AOS202EBK1	e
269 005	AOS202ECA1	c	267 085	AOS202EAM1	f
			267 095	AOS202EAB1	g

Pos	Factory Code	6DGT Code	Descrizione	Description	Ref./ Notes
			<b>Pagina 6</b>	<b>Page 6</b>	
400	0853861303	0C1197	CARRELLO PORTA TEGLIE (P63)	TROLLEY (P63)	
401	0835865000	0C1631	RUOTA CON FRENO	WHEEL WITH BRAKE	
402	0835865800	0C2216	RUOTA	WHEEL	
403	0517878000	007108	MANIGLIA	HANDLE	
404	0H21503300	006309	PILETTA DI SCARICO	DRAIN	
			<b>SONDE DI TEMPERATURA</b>	<b>TEMPERATURE PROBES</b>	
	0830898900	0C0324	SONDA CELLA (L 400)	CAVITY PROBE (L 400)	
	0830899000	0C0325	SONDA BOILER (L 800)	BOILER PROBE (L 800)	
	0830899100	0C0326	SONDA BYPASS (L 1200)	BYPASS PROBE (L 1200)	



PLATON SERVICE  
 8 (800) 500-34-41  
 www.platonservice.com